

# DH-SD42C212T-HN

2MP 12x PTZ Network Camera



- 1/2.7" 2Megapixel CMOS
- Powerful 12x optical zoom
- Support Triple-streams encoding
- Max. 25/30fps@1080P, 25/30/50/60fps@720P
- IVS(Optional)
- Support PoE+
- IK10



## System Overview

Featuring with powerful optical zoom and accurate pan/tilt/zoom performance, the SD42C series PTZ camera can provide large monitoring range and great detail. The camera delivers 1080P resolution at 25/30 fps, with 12x optical zoom. SD42C series PTZ is equipped with quick and smooth control, high quality image and good protection, which make it can meet most of the requirements of video surveillance applications.

## Functions

### Smart H.264+

Delivering high quality video without straining the network, Smart H.264+ is the optimized implementation of H.264. The Smart H.264+ encoding platform includes a scene adaptive encoding strategy, dynamic GOP, dynamic ROI, flexible multi-frame reference structure and intelligent noise reduction, providing a savings of up to 70% of bandwidth and storage when compared with standard H.264.

### Wide Dynamic Range

Embedded with industry leading wide dynamic range (WDR) technology, vivid pictures are achieved even in the most intense contrast lighting conditions. For applications with both bright and low lighting conditions that change quickly, true WDR (120dB) optimizes both the bright and dark areas of a scene at the same time to provide usable video.

### Environmental

With a temperature range of -30 °C to +60 °C (-22 °F to +140°F), the camera is designed for extreme temperature environments. The camera complies to an IK10 impact rating making it capable of withstanding the equivalent of 55 kg (120 lbs) of force.

### Protection

This camera suits even the harsh conditions for outdoor applications. Its 2KV lightning rating provides protection against the camera and its structure from the effects of lightning.

### Interoperability

The camera conforms to the ONVIF (Open Network Video Interface Forum) and PSIA (Physical Security Interoperability Alliance) specifications, ensuring interoperability between network video products regardless of manufacturer.

### Technical Specification

#### Camera

Image Sensor	1/2.7" CMOS
Effective Pixels	1920(H) x 1080(V), 2 Megapixels
RAM/ROM	256M/128M
Scanning System	Progressive
Minimum Illumination	Color: 0.05Lux@F1.6; B/W: 0.005Lux@F1.6
S/N Ratio	More than 55dB
IR Distance	N/A
IR On/Off Control	N/A
IR LEDs	N/A

#### Lens

Focal Length	5.1mm~61.2mm
Max. Aperture	F1.6 ~ F3.0
Angle of View	H: 59.3° ~ 5.2°
Optical Zoom	12x
Focus Control	Auto/Manual
Close Focus Distance	100mm~ 1000mm

#### PTZ

Pan/Tilt Range	Pan: 0° ~ 360° endless; Tilt: -2° ~ 90°, auto flip 180°
Manual Control Speed	Pan: 0.1° ~ 300° /s; Tilt: 0.1° ~ 120° /s
Preset Speed	Pan: 300° /s; Tilt: 200° /s
Presets	300
PTZ Mode	5 Pattern, 8 Tour, Auto Pan ,Auto Scan
Speed Setup	Human-oriented focal Length/ speed adaptation
Power up Action	Auto restore to previous PTZ and lens status after power failure
Idle Motion	Activate Preset/ Scan/ Tour/ Pattern if there is no command in the specified period
Protocol	DH-SD

#### Intelligence

Auto Tracking	N/A
IVS (optional)	Tripwire, Intrusion, Abandoned/Missing, Face Detection

#### Video

Compression	H.264+/H.264 / MJPEG	
Streaming Capability	3 Streams	
Resolution	1080P(1920×1080)/720P(1280×720)/D1(704×576/704×480)/CIF(352×288/352×240)	
Frame Rate	Main stream	1080P/D1 (1 ~ 25/30fps), 720P(1~50/60fps)
	Sub stream1	D1/CIF(1 ~ 25/30fps)
	Sub stream2	720P/D1/CIF (1 ~ 25/30fps)

Bit Rate Control	CBR/VBR
Bit Rate	H.264+/H.264: 448K ~ 8192Kbps, MJPEG: 5120K ~ 10240Kbps
Day/Night	Auto(ICR) / Color / B/W
Backlight Compensation	BLC / HLC / WDR(120dB)
White Balance	Auto,ATW,Indoor,Outdoor,Manual
Gain Control	Auto / Manual
Noise Reduction	Ultra DNR (2D/3D)
Motion Detetion	Support
Region of Interest	Support
Electronic Image Stabilization (EIS)	N/A
Defog	Support
Digital Zoom	16x
Flip	180°
Privacy Masking	Up to 24 areas

#### Audio

Compression	G.711a/G.711mu/PCM
-------------	--------------------

#### Network

Ethernet	RJ-45 (10/100Base-T)
Protocol	IPv4/IPv6,HTTP,HTTPS,SSL,TCP/IP, UDP,UPnP, ICMP,IGMP,SNMP,RTSP,RTP, SMTP, NTP,DHCP, DNS,PPPOE,DDNS,FTP, IP Filter,QoS,Bonjour,802.1x
Interoperability	ONVIF, PSIA, CGI
Streaming Method	Unicast / Multicast
Max. User Access	20 users
Edge Storage	NAS (Network Attached Storage),Local PC for instant recording, 128GB
Web Viewer	IE10/Google/Firefox/Safari...
Management Software	Smart PSS, DSS
Smart Phone	iPhone, iPad, Android, Windows Phone

#### Certifications

Certifications	CE: EN55032/EN55024/EN50130-4 FCC: Part15 subpartB,ANSI C63.4- 2014 UL: UL60950-1+CAN/CSA C22.2.No.60950-1
----------------	--

#### Interface

Video Interface	N/A
Audio Interface	1/1
RS485	N/A
Alarm	2/1

#### Electrical

Power Supply	AC24V/1.5A(±10%), PoE+(802.3at)
Power Consumption	12W

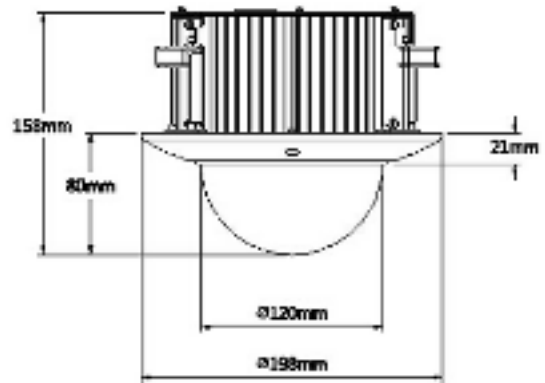
Environmental

Operating Conditions	-30°C ~ 60°C (-22°F ~ +140°F) / Less than 90% RH
Ingress Protection	N/A
Vandal Resistance	IK10

Construction

Casing	Metal
Dimensions	Φ198(mm)×158(mm)
Net Weight	2.3kg(5.07lb)
Gross Weight	3.3kg(7.28lb)

Dimensions (mm)



Ordering Information

Type	Part Number	Description
2MP PTZ Camera	DH-SD42C212T-HN	2MP 12x PTZ Network Camera, WDR, PAL
	DH-SD42C212TN-HN	2MP 12x PTZ Network Camera, WDR, NTSC
	SD42C212T-HN	2MP 12x PTZ Network Camera, WDR, PAL
	SD42C212TN-HN	2MP 12x PTZ Network Camera, WDR, NTSC
Accessories	AC24V/1.5A	Power Supply

Accessories

Included:



AC24V/1.5A  
Power Supply